

# Metrology Special

FALL / WINTER 2011

[www.eclipsemetrology.com](http://www.eclipsemetrology.com)

**baty**  
**R14 -  
Profile  
Projector**

See page 5 for details.



**S\_Cal Pro  
Caliper**

See page 2 for details.

**Starting at  
\$199.00**



**BOWERS METROLOGY**

**Digital Pistol Grip  
Bore Gauge Sets**

See page 6 for details.

**Starting at  
\$1,825.00**



**TRIMOS**  
**Vectra Touch**

See page 4 for details.

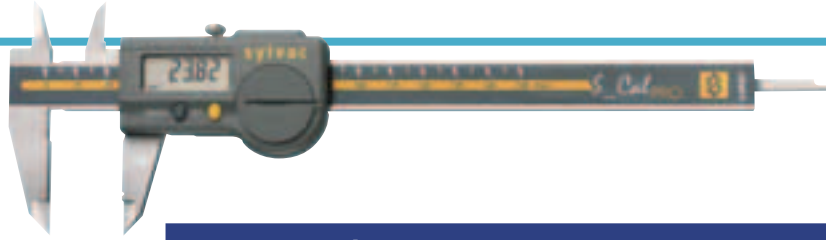


# SWISS PRECISION HAND TOOLS

## Sylvac S\_Cal Pro Caliper

### Features:

- Water and coolant resistant (IP67)
- New, contactless data output (S\_Connect Proximity)



### S\_CAL PRO Caliper

Code No	Description	Sale Price
910-1502	6"/150mm Sylvac Waterproof caliper IP67 S-Cal pro with depth rod	\$178.00
910-1522	8"/200mm Sylvac Waterproof caliper IP67 S-Cal pro with depth rod	\$312.00
910-1532	12"/300mm Sylvac Waterproof caliper IP67 S-Cal pro no depth rod	\$370.00



## Sylvac S\_Cal WORK Caliper

### Features:

- Maximum velocity of displacement: 2 m/sec
- Mechanical stainless steel frame, hardened and ground
- Version with thumb wheel available on request
- No depth rod on 12" model



### S\_Cal WORK Caliper

Code No	Description	Sale Price
910-0502	6"/150mm Workshop Caliper	\$137.00
910-0522	8"/200mm Workshop Caliper	\$174.00
910-0532	12"/300mm Workshop Caliper	\$225.00

## Sylvac 229 Digital Indicator

### Features:

- Direct Inch / Metric conversion
- Zero setting
- Preset
- Memory hold



### Series 229 Digital Indicator

Code No	Range	Dimensions	Sale Price
905-1301	12.5mm / 0.5"	0.001mm / 0.00005"	\$649.00
905-1501	25mm / 1.0"	0.001mm / 0.00005"	\$679.00

## Sylvac S\_Mike Micrometer

### Features:

- Water and coolant resistant, IP67 (according to IEC 60529)
- Smart Inductive Sensor (S.I.S)



### S\_Mike Micrometer

Code No	Description	Sale Price
903-0300	Sylvac Digital Mic 0-30mm IP67	\$435.00
903-0600	Sylvac Digital Mic 30-66mm IP67	\$675.00

## Sylvac Hi-Cal Height Gauge

The Hi-Cal is perfect for a variety of measuring tasks including step heights, internal/external diameters and centre-line distances.

Sylvac's patented inductive measuring electronics and the latest motorised probing system give excellent repeatability and ease of use.

### Features:

- Motorised carriage with 2 progressive speed ranges
- Light, compact and handy with small dimension base
- Simultaneous display of diameter and centerline
- Measuring of internal and external diameter, centerline, height, thickness, and depth
- Extremely low measuring force
- Easy and intuitive functions
- USB data output



### Hi-Cal Height Gauge

Code No	Description	Sale Price
830-0150	Sylvac Hi-Cal Height Gauge 0-6/150mm	\$5,050.00
830-0300	Sylvac Hi-Cal Height Gauge 0-12/300mm	\$5,450.00
930-2150	Full accessories set in wooden box - 13 probes and holders	\$1,095.00

## Trimos V+ Series Digital Height Gauge

Ideally suited to shop-floor situations where accuracy, repeatability, ease of use and ruggedness are required. This battery operated, motorised gauge boasts a multitude of useful, easy to access features, whilst its built in air cushion enables great ease of movement and speed of operation.

### Features:

- Measures heights, depths, thickness, gaps
- Measures internal and external diameters
- Min / Max / Delta feature
- Measures centreline distances of bores, shafts and surface to centreline
- Storage of probe constant
- Unique touch sensitive probe
- Direct RS232 output
- Portable lightweight construction
- Adjustable measuring pressure
- Metric / Inch conversion
- Built in air cushion activation (600 & 1000mm versions)
- Supplied with setting master



### Trimos V+ Series Specification

Code No	V304C (air pump)	V604C (air pump)	V1004C (air pump)
Measuring range	300mm / 12"	600mm / 23.6"	1000mm / 48.6"
Application range	535mm / 21"	835mm / 32.8"	1235mm / 48.6"
Resolution	0.01 / 0.001mm / 0.0005" / 0.00005"	0.01 / 0.001mm / 0.0005" / 0.00005"	0.01 / 0.001mm / 0.0005" / 0.00005"
Max error	2.5+L(mm)/300	2.5+L(mm)/300	2.5+L(mm)/300
Repeatability	0.002mm / 0.0001"	0.002mm / 0.0001"	0.002mm / 0.0001"
Operational speed	3m / sec	3m / sec	3m / sec
Measuring force	0.7 - 1.6N	0.7 - 1.6N	0.7 - 1.6N
Operational time	100 hours	100 hours/30hours (air)	100 hours/30hours (air)
Power supply	Incorporated rechargeable battery pack	Incorporated rechargeable battery pack	Incorporated rechargeable battery pack
Net Weight	10kg	12kg	16kg
Data output	RS232	RS232	RS232
<b>Sale Price</b>	<b>\$6,995.00</b>	<b>\$8,795.00</b>	<b>\$10,995.00</b>

# HEIGHT GAUGING/SURFACE TESTING

## Trimos Vectra Touch

### Features:

- Colour touch screen
- Programming of measuring sequences
- XY co-ordinate measuring system
- A built-in RS232 output enables the simple transmission of measured data to printers, computers, SPC devices etc.



**Wireless Communication**  
(optional)



**Backup**  
on USB Memory Stick



**Colour Print**  
to USB Printer



**Trimos Advanced Temperature Compensation**



0.1µm

### Trimos Vectra Touch

Code No	Description	Sale Price
VT300MO	Trimos Vectra Touch 300 H/Gauge Motorised	\$9,995.00
VT600MO	Trimos Vectra Touch 600 H/Gauge Motorised	\$11,500.00

## Trimos TR-Profile

The TR-Profile is an extremely precise, superior quality surface roughness measuring instrument, built for use in the workshop and on production lines.

### Features:

- Solidly built for use in production areas
- Easy to operate
- Detachable drive unit
- Automatic calibration
- Memory capacity for 15 profiles
- USB interface
- Battery for mobile use
- Large selection of accessories
- Interchangeable probes



### Trimos TR-Profile

Code No	Description	Sale Price
TR PROFILE VH	TR Profile VH (Checking using a probe with sliding skids)	\$5,395.00
TR PROFILE VHF	TR Profile VHF (Checking using probe with and without sliding skids)	\$6,995.00

## Baty R14 Profile Projector



The instantly recognizable R14 design dates back decades! With thousands of units sold the world over, the R14 has become the industry standard by which others are measured.

### Features:

- 0.5 micron X, Y measuring resolution
- 340mm (14") screen with 90 degree crosslines and chart clips
- Profile illumination with halogen lamp and green filter
- Lens magnification choice: x10, x20, x25, x50, x100
- Surface illumination (fibre optic)
- Helix adjustment  $\pm 7^\circ$  of light source for accurate thread form projection
- Cast iron workstage with machined slot for holding accessories
- Workstage measuring range of 175mm (7") x 100mm (4")
- Digital angle measurement to 1 minute of arc
- Digital clock function
- All steel body
- Includes 10x lens

### Available Options:

- Internally fitted automatic edge sensor (shown)
- Swing-over lamphouse to allow clear access to the workstage
- Cabinet stand ensures a solid base and provides storage
- Other options include foot switch control and printer
- Full work holding accessories
- Extended lamphouse for larger components

Large screen floor standing models also available



### Baty R14

Code No	Description	Lens	Includes	Sale Price
R14-GXL-E	Horizontal projector with QC220 geometric readout & optical edge detection	10x lens	Surface illumination	\$14,995.00

## Baty R400 Profile Projector



Baty has been a leader and innovator in high-accuracy measurement products for over seventy five years. The new horizontal 16"/400mm screen profile projectors offer a large workstage area combined with a multitude of features included as standard.

### Features:

- 0.5 micron X, Y measuring resolution
- Fully usable 16"/400mm screen
- Digital Screen Protractor
- Built-in helix adjustment
- Quick change single lens mount
- Sturdy all-steel design
- Cross roller bearings
- Quick release "X" travel
- Erect image
- Easy-view vertical screen
- Large stage travel 6" (150mm) x 12" (300mm)
- Rotating chart clips
- Fibre optic illumination for surface measurement
- Green filter
- Includes 10x lens

### Available Options:

- Automated measurement system with joystick control
- Automatic edge sensing
- Motorised focus axis
- Swing-over lamphouse for large parts
- Heavy duty cabinet stand



### Baty R400

Code No	Description	Lens	Includes	Sale Price
R400-AB2-E	Horizontal projector Fusion 2D software & optical edge detection including PC	10x lens	Surface illumination	\$24,495.00

# BORE GAUGING

## Bowers Digital Pistol Grip Bore Gauge Sets

Bowers XT Holematic Xtreme bore gauge incorporates an ergonomic pistol grip handle with an advanced trigger action, giving the user the advantages of both speed of operation and a constant measuring pressure. The clear digital display, superior IP65 electronics and application range of 0.08" to 12" ensures ease of use and assured accuracy.

All XT instruments give the user the advantage of extended measuring travel with fixed anvils and UKAS certification of both measuring head and setting ring as standard.

### Features:

- IP65 Electronics
- Simple 2-button operation
- Large easy-to-read swivel display
- 3 preset memories
- RS-232C output
- Self-centring heads
- Constant measuring pressure
- Fast, accurate measurement

**Sets** Supplied with digital display unit, heads, rings and UKAS

Code No	Range	Measuring Heads	Setting Rings	Sale Price
SXTH1I	0.080 - 0.25"	5	3	\$4,865.00
SXTH3I	1/4 - 3/8"	2	1	\$1,825.00
SXTH4I	3/8 - 3/4"	3	2	\$2,150.00
SXTH5I	3/4 - 2"	3	2	\$2,825.00
SXTH6I	2 - 4"	2	1	\$3,160.00
SXTH7I	4 - 6"	2	1	\$2,795.00
SXTH8I	6 - 8"	2	1	\$3,795.00



**BOWERS METROLOGY**



Made in the UK

WiFi

RS232



**Large Sets** Supplied with digital display unit, heads, rings and UKAS

Code No	Range	Measuring Heads	Setting Rings	Sale Price
SXTH10I	1/4 - 3/4"	5	3	\$2,595.00
SXTH11I	3/4 - 4"	5	3	\$4,685.00

## Bowers Digital Bore Gauge Sets

Bowers XT Digital Xtreme internal micrometers give the operator the advantage of traditional quality ratchet gauges allied to advanced IP65 electronics. The extended mechanical travel of the XT range means that special heads can also be manufactured to accommodate users most awkward measuring problems. Measuring heads for threads, splines slots, grooves, deep-holes and many more applications are available on request.

All XT instruments give the user the advantage of extended measuring travel with fixed anvils and UKAS certification of both measuring head and setting ring as standard.



**BOWERS METROLOGY**



Made in the UK

### Features:

- IP65 Electronics
- Simple 2-button operation
- Large easy-to-read display
- 3 preset memories
- RS-232C output
- 2-6mm 2 point/ 6-300mm 3 point measurement
- Resolution 0.001mm/0.00005"

**Sets** Supplied with digital display unit, heads, rings and UKAS

Code No	Range	Measuring Heads	Setting Rings	Sale Price
SXTD1I	0.080 - 0.25"	5	3	\$4,395.00
SXTD3I	1/4 - 3/8"	2	1	\$1,765.00
SXTD4I	3/8 - 3/4"	3	2	\$2,095.00
SXTD5I	3/4 - 2"	3	2	\$2,895.00
SXTD6I	2 - 4"	3	2	\$3,275.00
SXTD7I	4 - 6"	2	1	\$2,745.00
SXTD8I	6 - 8"	2	1	\$3,595.00
SXTD9I	4 - 8"	4	2	\$5,870.00



## Bowers Analogue Bore Gauge Sets

Bowers XT Analogue Bore Gauges are an economical solution to accurate shop-floor bore measurement. The extended mechanical travel of these advanced two or three point gauges ensures that exchanging measuring anvils is now unnecessary. Their wide application range, 2 - 300mm, rugged construction and easy read scale, ensure both accuracy and ease of use. XT measuring heads and setting rings are supplied with UKAS certification.

**Sets** Supplied with digital display unit, heads, rings and UKAS

Code No	Range	Measuring Heads	Setting Rings	Sale Price
SXTA1i	0.080 - 0.120"	2	1	\$1,850.00
SXTA2i	0.120 - 0.250"	3	2	\$2,475.00
SXTA3i	1/4 - 3/8"	2	1	\$720.00
SXTA4i	3/8 - 3/4"	3	2	\$1,095.00
SXTA5i	3/4 - 2"	3	2	\$1,695.00
SXTA6i	2 - 4"	3	2	\$2,295.00
SXTA7i	4 - 6"	2	1	\$1,730.00
SXTA8i	6 - 8"	2	1	\$2,495.00



**BOWERS METROLOGY**



Made in the UK

### Features:

- 2 - 6mm 2 point/ 6 - 300mm 3 point measurement
- Tungsten carbide measuring faces on all 3-point heads from 0.500"
- Blind bore measurement from 2mm - 6mm and above 12.5mm (0.500")
- Extensions available above 6mm for deep hole measurement
- Ratchet stop to ensure consistent measurement
- Serial number on all gauges
- Bore gauges manufactured according to DIN 863, part 4
- Supplied in fitted wooden case

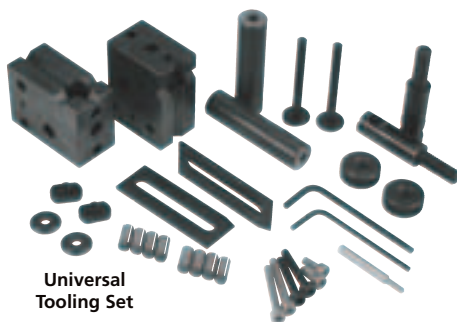


## Baty Checkmaster Comparator Gauge

Available in two sizes, Checkmaster is the flexible gauging solution for short production runs. Simply setup your Universal Tooling set to suit your application, fit your preferred indicator and zero against a master for fast accurate and incredibly repeatable results. Gauging force can be adjusted for softer materials and biased for either internal or external dimensions by a simple lever selection. This enables multi-dimension setups to be easily catered for.

### Tooling:

The Universal Tooling Set includes: 2 x universal tooling blocks, combination blade / radius anvil, Mushroom anvils and mounting bars to allow a variety of internal and external features to be measured.



Universal Tooling Set

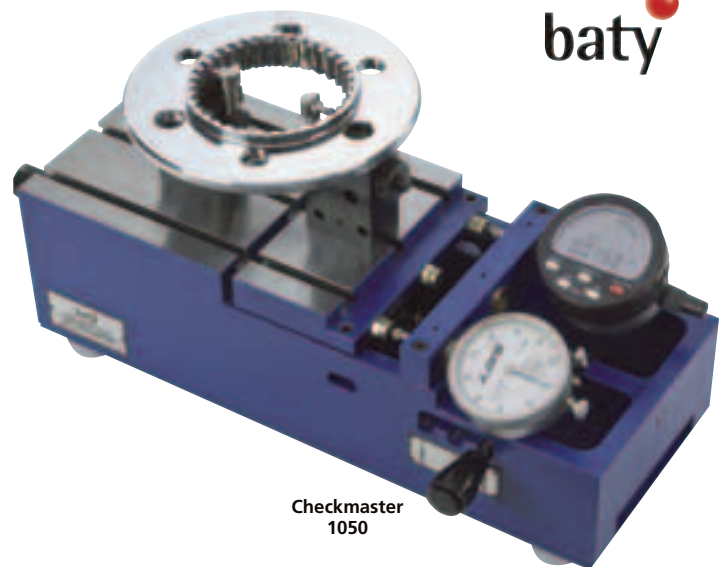


Made in the UK



### Baty Checkmaster Comparator Gauge

Code No	Description	Sale Price
1050	Checkmaster Comparator	\$1,395.00
1060	Checkmaster Comparator	\$1,695.00
UTS-1	Universal Tooling Set	\$595.00



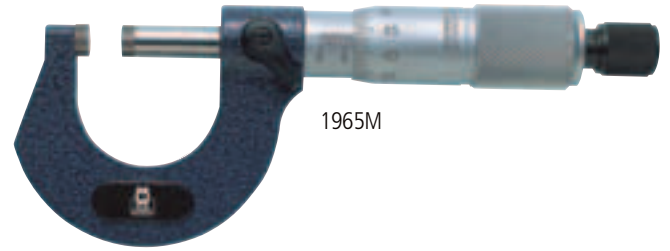
Checkmaster 1050

# MOORE & WRIGHT HAND TOOLS

## Traditional External Micrometer, 1965 Series with Carbide Anvils

### Features:

- Tungsten carbide measuring faces
- 6.5mm spindle diameter



### Mechanical External Micrometer

0.001"	0.001mm	Sale Price	0.001"	0.002mm	Sale Price
MW1965	MW1965M	\$28.90	MW1965B	MW1965MB	\$28.90

## Traditional External Micrometer, 1966 Series

### Features:

- Tungsten carbide measuring faces
- Metric option also available
- 6.5mm spindle diameter



### Mechanical External Micrometer - Imperial: 1 - 6"

Range	0.001"	Sale Price	0.0001"	Sale Price
1 - 2"	MW1966-2	\$31.65	MW1966B-2	\$31.65
2 - 3"	MW1966-3	\$35.00	MW1966B-3	\$35.00
3 - 4"	MW1966-4	\$38.00	MW1966B-4	\$38.00
4 - 5"	MW1966-5	\$44.70	MW1966B-5	\$44.70
5 - 6"	MW1966-6	\$52.30	MW1966B-6	\$52.30

## Telescopic Gauge Set

### Features:

- For quick inside measurement and determination of inside diameters
- Spring loaded plunger that expands in the bore or groove
- Metric / Imperial



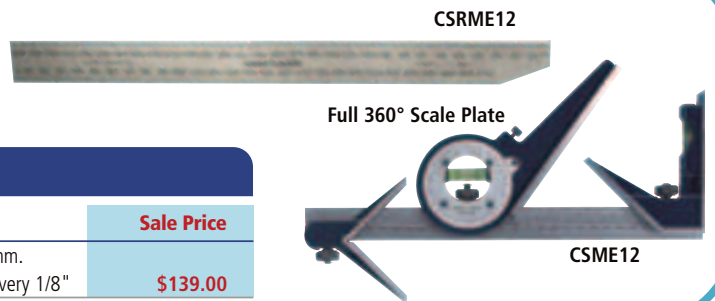
### Telescopic Gauge Set

Code No	Range	Quantity	Sale Price
MW315-01	8 - 150mm / 0.312" - 6"	6-pieces	\$28.15

## Traditional Precision Combination Set

### Features:

- Fully hardened and tempered precision rules with deeply etched graduations on both sides for ease of reading and long life



### Precision Combination Set

Code No	Item	Details	Sale Price
MWCSME12	Rule, 300mm / 12"	Metric graduations: in 0.5mm, numbered every 10mm. Imperial graduations: 32nds and 64ths numbered every 1/8"	\$139.00

DISTRIBUTED BY:

**ECLIPSE**  
TOOLS NORTH AMERICA INC

442 Millen Road, Unit 9, Stoney Creek,  
Ontario, L8E 6H2, Canada

Telephone: 905 664 5585 (800 260 2124)

Fax: 905 664 7090 (800 260 1410)

Email: sales@eclipse-tools.com

Website: www.eclipsemetrology.com